

WL-10

Intel® Whiskey Lake/Comet Lake-U Processors based Mini ITX Motherboard



Features

- CPU: Intel® Whiskey Lake/Comet Lake-U Processors
- Memory: Dual channel SO-DIMM DDR4 up to 64GB
- Display: Intel® UHD Graphics display via HDMI, DP, eDP/LVDS
- Ethernet: 10/100/1000 Mbps
- Storage: M.2 for SSD/4G, SATA3.0
- Expansion: M.2 for WiFi, PCIe 4X
- Power: 12V DC-in



IoT Solutions
Alliance
Industrial Solution
Builders Specialist

Maxtang[®]

MAXIMIZING YOUR COMPUTING PRODUCTIVITY

Introduction

The Maxtang mini-ITX WL10 embedded motherboard is based on Intel® Whiskey Lake-U/Comet Lake-U processors, provides a complete PC platform with high performance. Dual Channel SO-DIMM DDR4 up to 64GB for its memory and two SATA3.0, M.2 for its storage. Intel UHD graphics (based on CPU) for display via HDMI, DP, and eDP/LVDS. It supports 4G module, M.2_E for WiFi, PCIe4X for expansion. Rich interfaces include 6xCOM, 2xLAN, 3xUSB3.2, and 5xUSB2.0 cater most market's requirements.

This industrial mini-ITX motherboard offers a lot of functionality right off the rear panel and its internal headers. It is composed of high-quality components intended for a long-life operation that is perfect for industrial environments. It retains a robust design just like all other Maxtang products with stability, reliability, and cost advantages.

I/O Interfaces



H/W Monitor



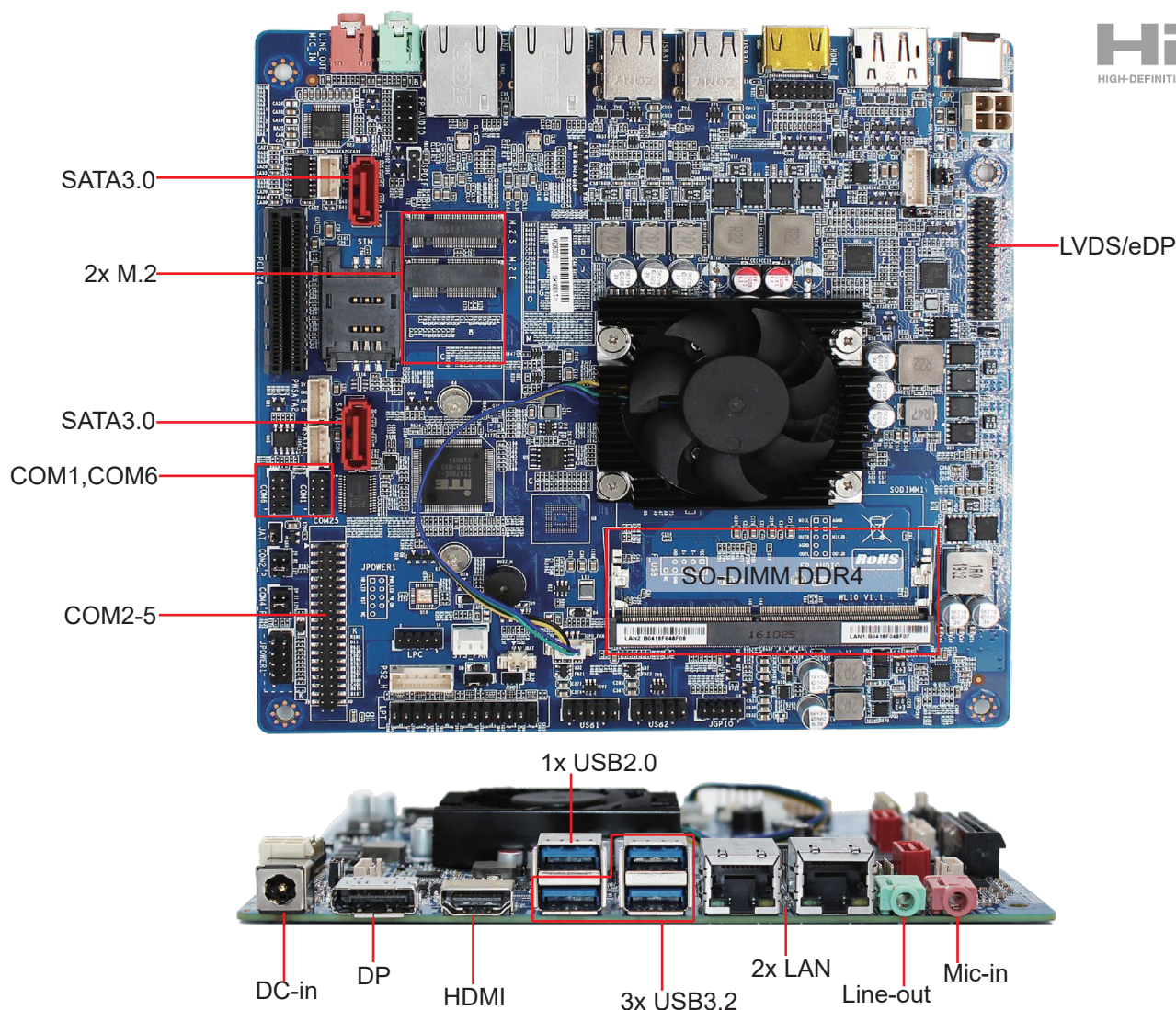
Watchdog



GPIO



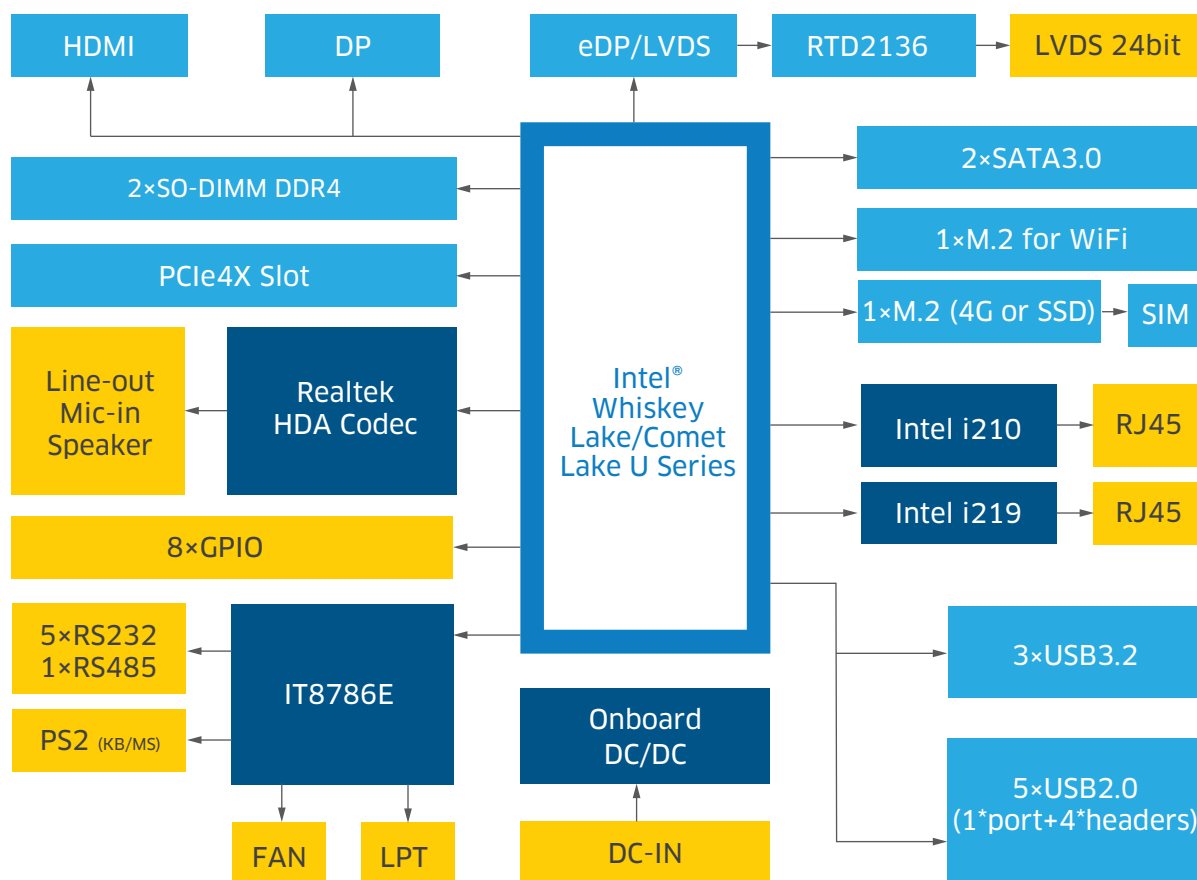
Brightness



Technical Specifications

Processor	Comet Lake U	i5-10210U	i3-10110U		
	Base Frequency	1.6 GHz	2.1GHz		
	Max Turbo Frequency	4.2 GHz	4.1GHz		
	Cache	6 MB	4MB		
	Whiskey Lake U	i3-8145U	Celeron 4205U	Pentium 5405U	
	Base Frequency	2.1GHz	1.8GHz	2.3 GHz	
	Max Turbo Frequency	3.9GHz	/	/	
	Cache	4MB	2MB	2MB	
	BIOS	AMI UEFI BIOS			
	Memory	Type	Dual Channel SO-DIMM DDR4		
Max.Capacity		64GB			
Display	GPU	Intel UHD Graphics 610/620 based on CPU			
	Display via	1xHDMI+1xDP+1x LVDS/eDP			
Ethernet	Speed	10/100/1000Mbps			
	Controller	1xIntel i210+1xIntel i219			
	Interface	2xRJ45			
	Wake on LAN	Yes			
Audio	Audio Codec	Realtek HD			
	Interface	1xLine-out, 1xMic-in, support audio header and power amplifier header			
Hardware Storage	CPU System Temperature, Onboard voltage, Watchdog, Auto power on				
Expansion	M.2	1×M.2 for SATA SSD/4G Module			
	SATA3.0	2 (Only 1 if Celeron onboard)			
I/O Interface	M.2	1xM.2 for WiFi			
	PCIe4X	1			
Dimension	COM	6xCOM: 5*RS232+1*RS485			
	USB3.2	3			
	USB2.0	5 (1*port+4*headers)			
	GPIO	8			
	LPT	1			
	PS/2	1			
	TPM2.0	Onboard, optional			
	Size	170mm×170mm			
	Board Type	Mini-ITX			
	Power	Standard Port	12V DC-in /4 PIN Power		
Peripheral Input		For Fan and SATA			
Operating Temp.		-20°C ~60°C			
Storage Temp.		-40°C ~80°C			
Operating System	Win10 64 bit, Linux 64 bit				

Functional Block Diagram



Order Information

Model Name	Description
DT4205-A	DT MINI-ITX Intel Celeron 4205U WL10 2LAN 5*RS232 1*RS485 DP+HDMI+LVDS
DT5405-A	DT MINI-ITX Intel Pentium 5405U WL10 2LAN 5*RS232 1*RS485 DP+HDMI+LVDS
DT8145-A	DT MINI-ITX Intel Core i3-8145U WL10 2LAN 5*RS232 1*RS485 DP+HDMI+LVDS
DT10110-A	DT MINI-ITX Intel Core i3-10110U WL10 2LAN 5*RS232 1*RS485 DP+HDMI+LVDS
DT10210-A	DT MINI-ITX Intel Core i5-10210U WL10 2LAN 5*RS232 1*RS485 DP+HDMI+LVDS

*For customized options, please consult regional sales. And please confirm the model name and description before purchasing. *The model name and description might vary due to inventory changes.

Copyright © 2023 Maxtang Technology Co., Ltd. All rights reserved. All data is for information purposes only and not guaranteed for legal purposes. Information has been carefully checked and is believed to be accurate however, no responsibility is assumed for inaccuracies. Maxtang and the Maxtang logo and all other trademarks or registered trademarks are the property of their respective owners and are recognized. The terms HDMI, HDMI High-Definition Multimedia Interface, HDMI Trade Dress, and HDMI Logos are trademarks or registered trademarks of HDMI Licensing Administrator, Inc.